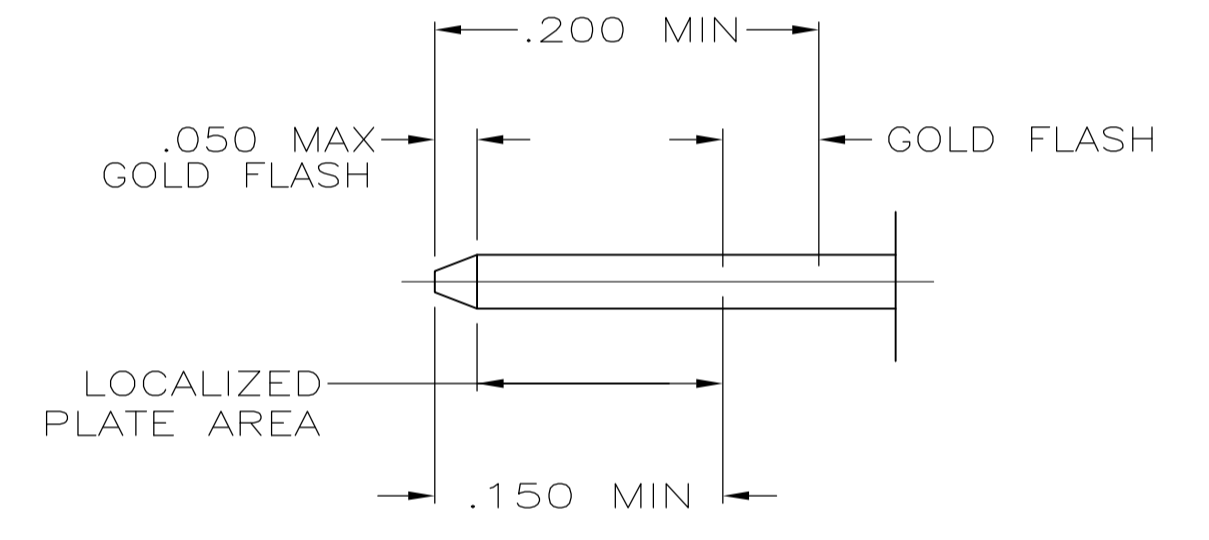
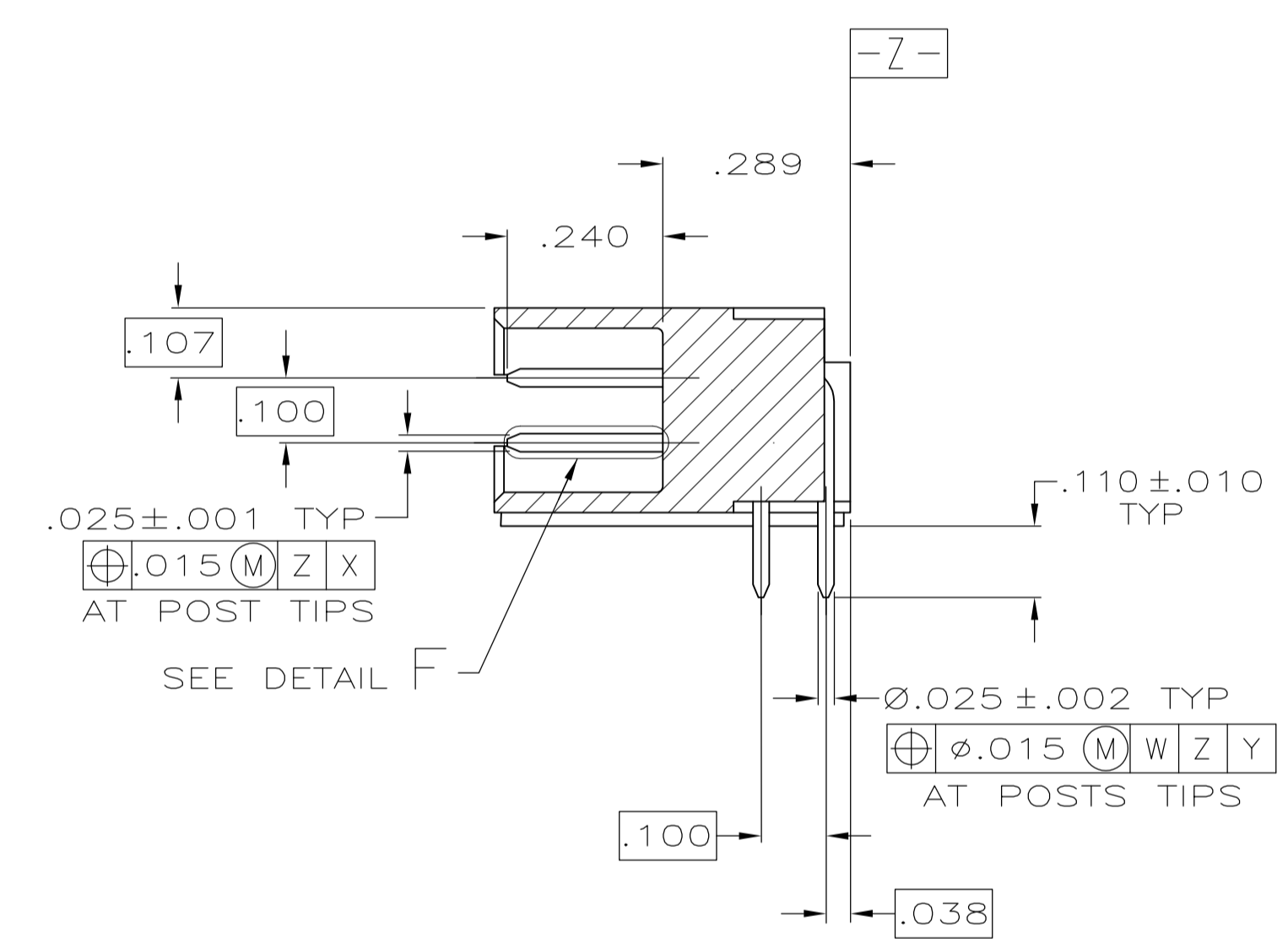
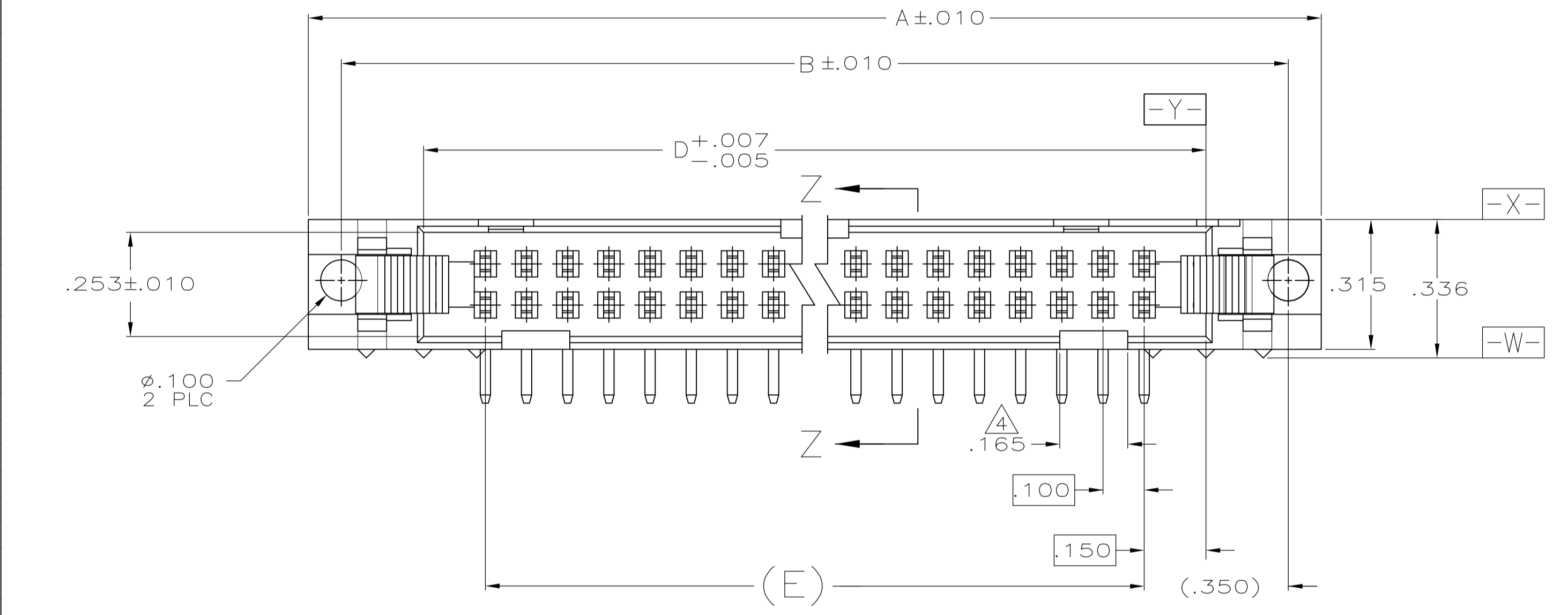
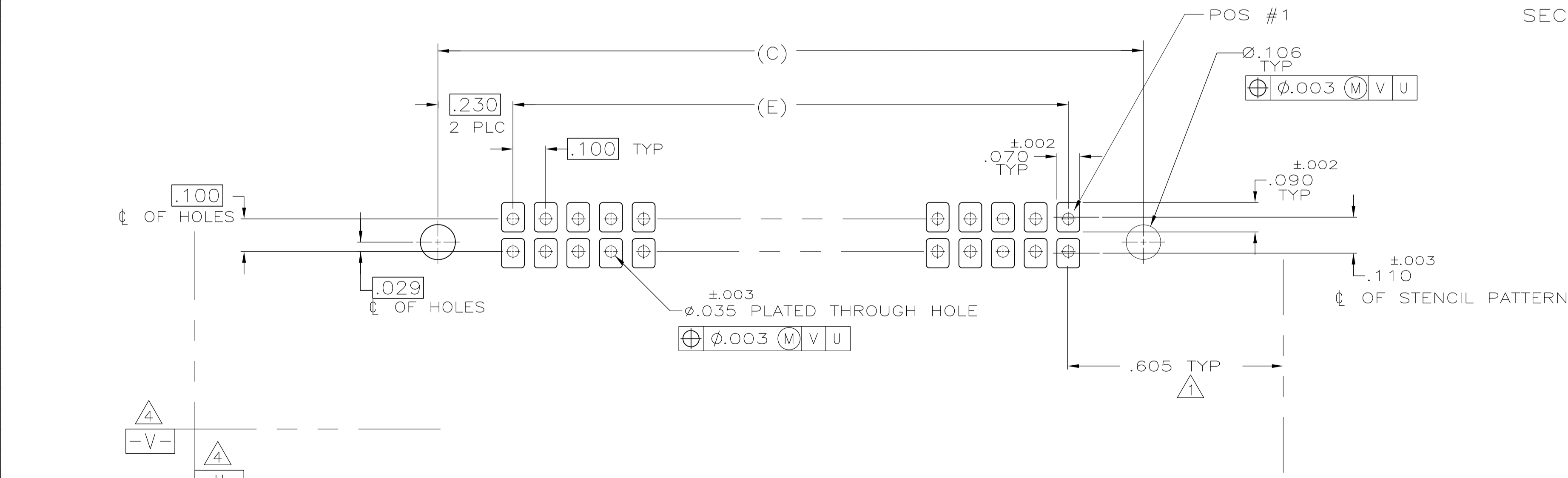


- 1 DISTANCE REQUIRED BY LATCHES IN OPEN POSITION.
- 2 POSTS: GOLD FLASH OVER .000030 MIN PALLADIUM-NICKEL PLATE ON THE LOCALIZED PLATE AREA, .000100 MIN TIN PLATE ON THE SOLDER-TAIL, .000050 MIN NICKEL UNDERPLATE ON THE ENTIRE POST.
-OR-
.000030 MIN GOLD PLATE ON THE LOCALIZED PLATE AREA, .000100 MIN TIN PLATE ON THE SOLDER-TAIL, .000050 MIN NICKEL UNDERPLATE ON THE ENTIRE POST.
- 3 MOLDED PARTS: FLAME RETARDANT PCT, UL94V-0 RATED, COLOR RED.
POSTS: BRASS.
- 4 DATUMS [-V-] & [-U-] TO BE ESTABLISHED BY CUSTOMER



DETAIL F
SCALE 10:1

SECTION Z-Z



RECOMMENDED
PCB MOUNTING DIMENSIONS

2.400	2.700	2.860	3.100	3.260	50	1-5111377-0
1.900	2.200	2.360	2.600	2.760	40	5111377-9
1.400	1.700	1.860	2.100	2.260	30	5111377-7
1.100	1.400	1.560	1.800	1.960	24	5111377-5
E	D	C	B	A	NO OF POSN	PART NUMBER

THIS DRAWING IS A CONTROLLED DOCUMENT.

DIMENSIONS: INCHES	TOLERANCES UNLESS OTHERWISE SPECIFIED:	DIN G. ATTADIA - 01-11-05	DOCKS 01-11-05	Tyco Electronics Corporation Harrisburg, PA 17105-3608
0 PLC ± -	1 PLC ± -	APVD S. BOLASH 01-11-05	NAME M. WALMSLEY	RESTRICTED TO
2 PLC ± -	3 PLC ± .005		PRODUCT SPEC 108-40018	
4 PLC ± -	ANGLES ± -		APPLICATION SPEC	
MATERIAL	FINISH	SIZE A1	CAGE CODE 00779	DRAWING NO. C=5111377
		WEIGHT		
		CUSTOMER DRAWING	SCALE 4:1	SHEET 1 OF 1